



PRODUCT CATALOG version 2022-01EN

OIL IMMERSED TRANSFORMER

IEC 60076 Series;
GB 20052-2020, GB 1094-1996, GB / T 6451-2008, GB / TT7597-2007,

HENGFENGYOU ELECTRIC
Smart Electric Global Service provider
Make life better!



CATALOGUE

Company profile	1
Certification	2
Product overview	3
Product advantage	5
SQA Management	8
Technical Parameter	14
TEST	16
Installation and after-sales	16





SMART ELECTRIC GLOBAL SERVICE PROVIDER, MAKE LIFE BETTER

ABOUT HENGFENGYOU ELECTRIC

HENGFENGYOU ELECTRIC GROUP, is an electrical enterprise with transmission and distribution industry as its main business, integrating product research and development, manufacturing and trade. Designated suppliers for the world's top 500 enterprises. Its main products include power transformers, medium and low voltage switchgear, distribution panel, circuit breakers, transmission tower, Cable and other power distribution equipment. The group has five departments: Transformer department, Panel department, power transmission tower department, cable department and electrical engineering department. HENGFENGYOU ELECTRIC GROUP has been working hard to provide the best transmission, distribution solutions for users all over the world.

Key figures

- Since: 1990
- Revenue in 2018: 635 million yuan
- 550 employees and 30 Electrical Engineers
- 6 production sites in China
- 6% of revenue is invested in R&D

Power distribution solutions that drive the global energy transition

With energy demand expanding in both developed and emerging countries, the challenge for HENGFENGYOU ELECTRIC GROUP is to connect energy with people. The group's teams work as closely as possible with projects and decision makers and design and propose technical and process solutions based on global user needs.

QUALIFICATION CERTIFICATION



OUR PARTNER



PRODUCT OVERVIEW

-The actual measurement of the product is superior to GB and IEC standards, CB CCC KEMA SASO certification, etc

-The high reliability of operation verification in more than 50 countries and regions around the world has been sold to Iraq, Kuwait, the United Arab Emirates, Libya, Zimbabwe, South Africa, Uganda, Rwanda, Ethiopia, Ghana, Uzbekistan, Kazakhstan, Pakistan, Vietnam, Nepal, Bangladesh, Indonesia and other countries, with a cumulative export of 12598 sets

-It is mainly used in urban distribution network below 35KV, power supply and distribution system of industrial and mining enterprises and civil buildings

-Executive Standards: IEC 60076 Series, IEC 6013, IEC 60214-1, IEC 60296; GB 1094-1996, GB / T 6451-2008, GB / TT7597-2007, etc



Oil Immersed Transformer



PRODUCT OVERVIEW

Conditions of use

Altitude less than 1000m, air temperature -25°C~40°C, humidity less than 90% (+25°C)

Vertical inclination shall not exceed 5°, no violent vibration, outdoor wind speed shall not exceed 35m/s

No gas or conductive dust that seriously affects transformer insulation; Where there is no explosion hazard and no corrosion of electrical components

If it exceeds the above normal use environment conditions, customers can contact our company to customize the solution separately

Standard

The actual measurement is better than GB and IEC standards

IEC CB CCC COC KEMA STL SABS certification

Implementation standards:

IEC 60076 Series, IEC 6013, IEC 6024-1, IEC 60296

GB1094-1996, GB/T6451-2008, GB/ T7537-2007



33KV Transformer

"SMART ELECTRICAL GLOBAL SERVICE PROVIDER, MAKE LIFE BETTER"

Hengfengyou Electric always provides the best oil immersed distribution transformer solutions for users all over the world, continuously improves product quality, reduces production costs, improves service level, and strives to become a world-class electrical service provider!



PRODUCT ADVANTAGE

Leading technology

-High voltage copper tape winding technology to improve lightning resistance

Low voltage copper foil winding technology, high quality A grade insulation material insulation

-Small magnetic leakage, high mechanical strength, short circuit resistance

-Core 45° fully inclined joint step laminated structure



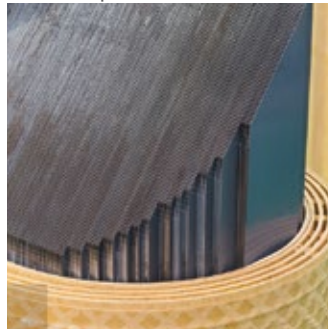
OLTC Transformer

The shell

- ABB robot automatic welding, laser detection, avoid leakage, pass rate of 99.99998%
- Electrostatic spray treatment, 50 years without removing paint (coating corrosion resistance within 100h, hardness ≥ 0.4)
- Fully sealed structure, maintenance free, normal operation service life of more than 30 years

The iron core

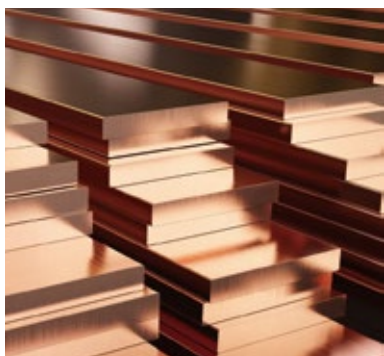
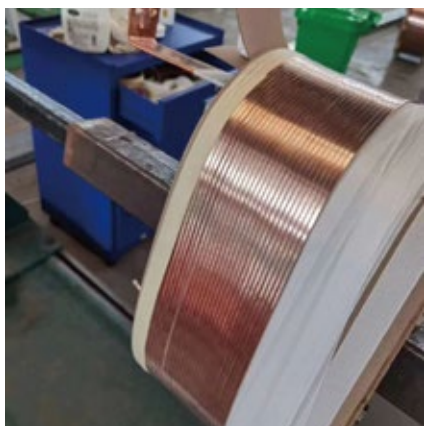
- The iron core is made of high quality cold-rolled grain oriented silicon steel sheet with mineral oxide insulation (from Baosteel and WISCO of China).
- By controlling the cutting and stacking process of silicon steel sheet, the loss level, no-load current and noise can be minimized
- The iron core is specially reinforced to ensure the structure of the transformer is firm during normal operation and transportation



PRODUCT ADVANTAGE

Winding

- The low voltage winding is made of high quality copper foil with excellent insulation resistance
- High voltage winding is usually made of insulated copper wire, using hengfengyou electric patented technology



High quality material

- Baosteel and WISCO produce silicon steel sheets
- China's high quality oxygen free copper
- CNPC (Kunlun Petroleum) High quality transformer oil (25#)

Patent technology

- Thanks to hengfengyou Electric "ultra-low loss energy-saving power transformer" patent technology, can achieve 5% material savings, transformer loss than similar products in the market reduced 10-20%, more energy saving and environmental protection.



Other instructions

- The low-voltage outlet terminal is a tin-plated copper bar
High voltage outlet terminals are tin-plated ring bolts
- Default no-load voltage regulation (can be customized) tap switch 5 or 7 gear adjustment
- Transformer above 630KVA is equipped with gas relay protection.

PRODUCT ADVANTAGE

- Authoritative certification: ISO, ANSI, CB, SASO KEMA etc
- Perfect SQA quality management system and patented technology to ensure high quality products
- Efficient production equipment and low raw material prices to ensure the price advantage
Sufficient inventory, short delivery time and fast delivery worldwide
- Perfect after-sales service system, allowing customers to buy worry-free
- Provide OEM/ODM services. Welcome clients to visit our factory.

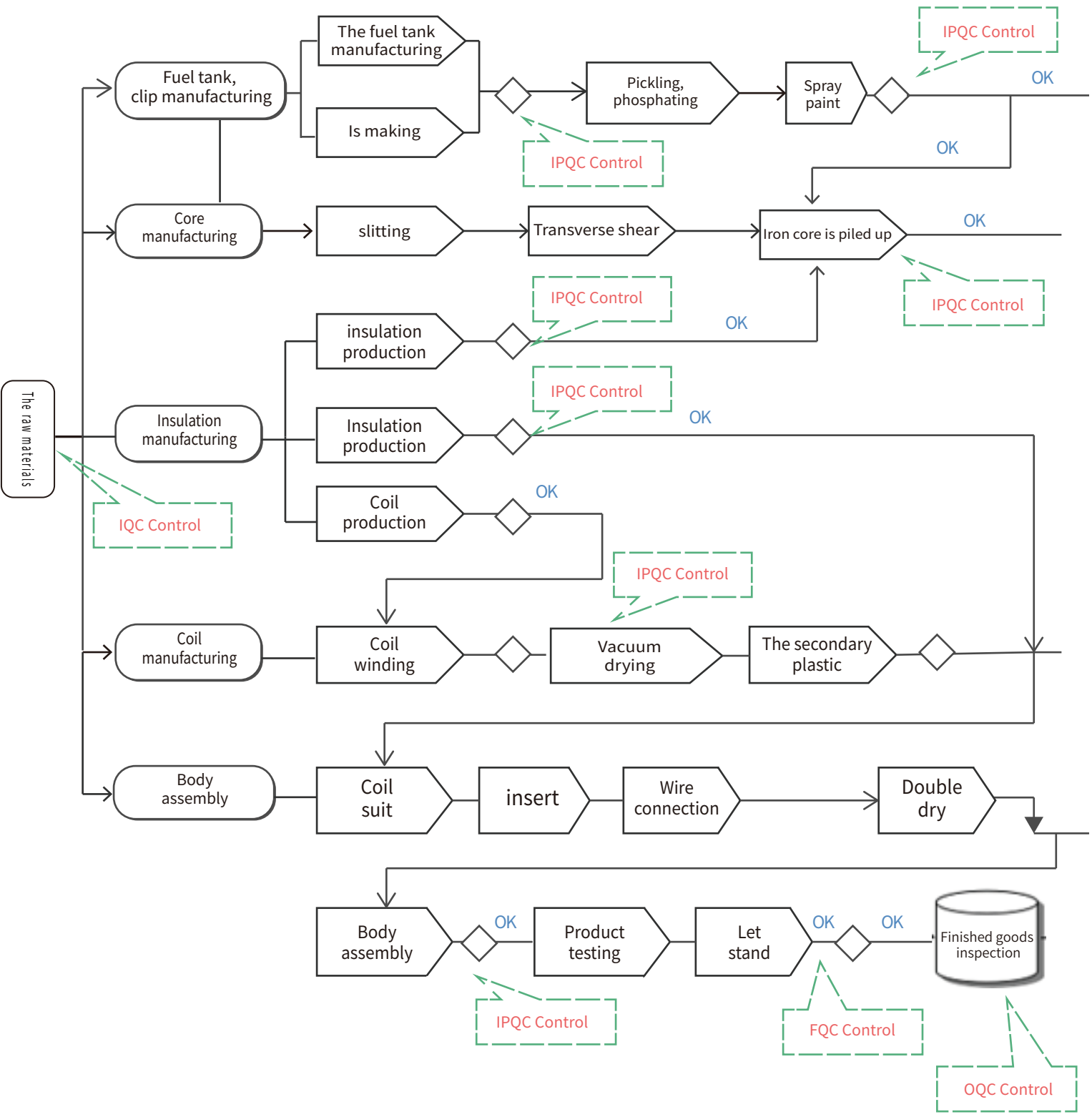


ODM/OEM



The above products are produced by HENGFENGYOU ELECTRIC last three years.

SQA MANAGEMENT OF OIL IMMERSSED TRANSFORMER



OUR PRODUCTION EQUIPMENT

The company mainly produces more than 300 sets of equipment, and the key equipment includes the full-automatic vacuum resin casting equipment of Hubers company, 400 / 600mm core automatic cross cutting machine, foil winding machine, the most advanced transformer kerosene vapor phase drying equipment in China, large-scale core stacking turnover platform, large scale assembly platform, etc

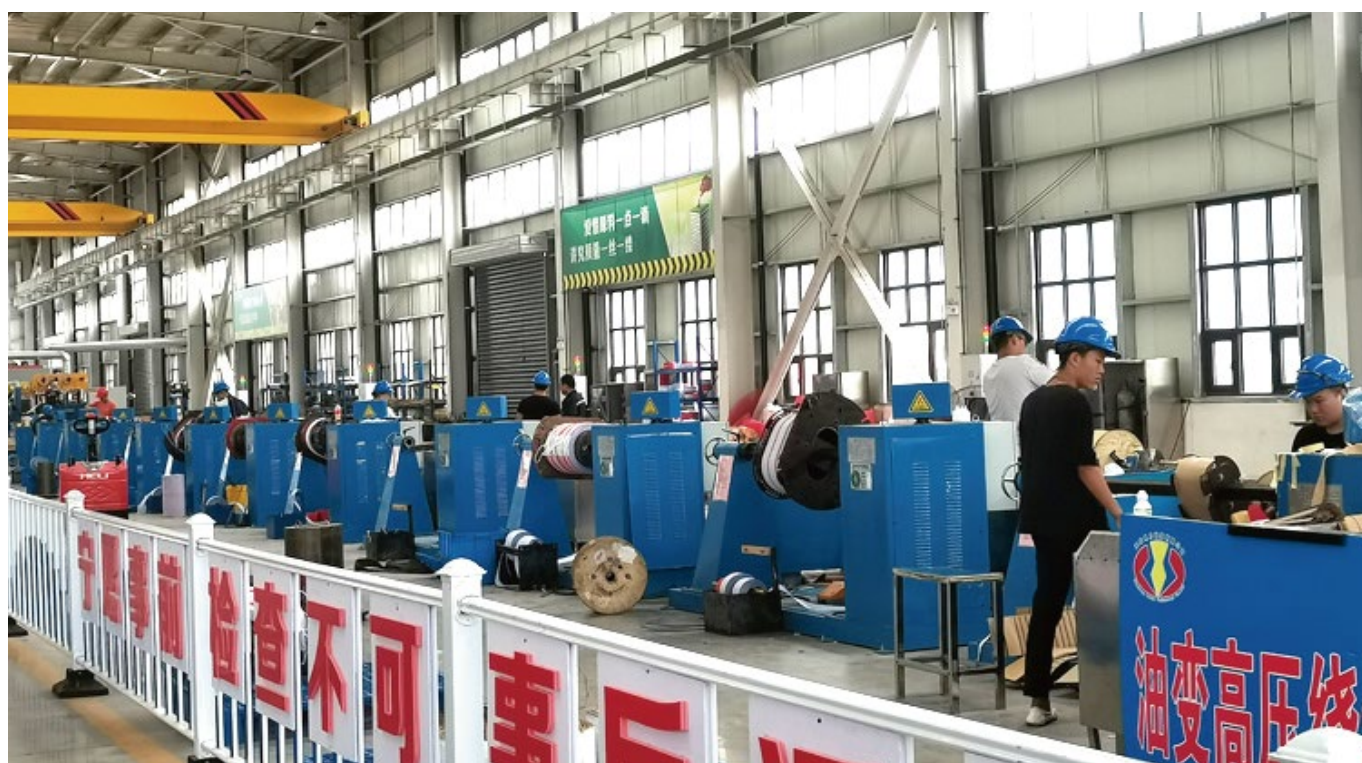


SILICON STEEL SHEET CROSSCUTTING MACHINE



THE CORNER OF OUR FACTORY

Hengfengyou Electric has 22000 square meters of modern plant, with a monthly delivery capacity of up to 500 distribution transformers, and has fully passed the ISO9001, ISO14001, SA8000, BSCI and other market access standards reviewed and issued by international certification bodies. At present, the company has 10 senior engineers, 30 senior technicians and more than 300 employees, with an annual output value of US \$100 million.



FLUID FILLED DISTRIBUTION TRANSFORMER

Type of transformer

Hermetically seal liquid fille (optional conservator)

Style of transformer

Ground Mounted - Cable Connected

Choice of dielectric fluid

Mineral oil to IEC60296, KUNLUN25#

Ratings

25kVA up to 5000kVA

Voltages

Up to 36kV (6/10/35kv 6.6/11/33kv 20/22kv 15/30kv)

Losses

GB 20052-2020 (Officially implemented on June 1, 2021)

Availability

Fast Transformer STOCK (choice of aluminium or copper windings)
manufacture – 7 weeks

Standard Tank Fittings	Optional Tank Fittings
Oil level indicator	Fluid-filled conservator
Rating and diagram plate	Gas & fluid actuated relay
Off circuit tap changer	Pressure relief device
pressure relief valve	Dehydrating breather
Dial thermometer	Liquid temperature indicator
Earth terminal	Winding temperature indicator
Filling valve	Marshalling box
Drain valve	Vacuum / pressure gauge
Lifting lugs	Plain rollers and axles
Earthing terminals	

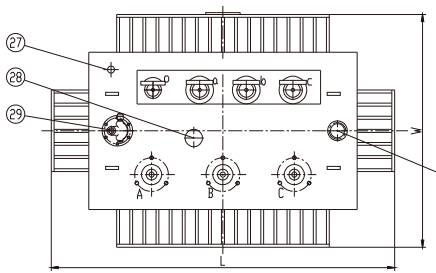
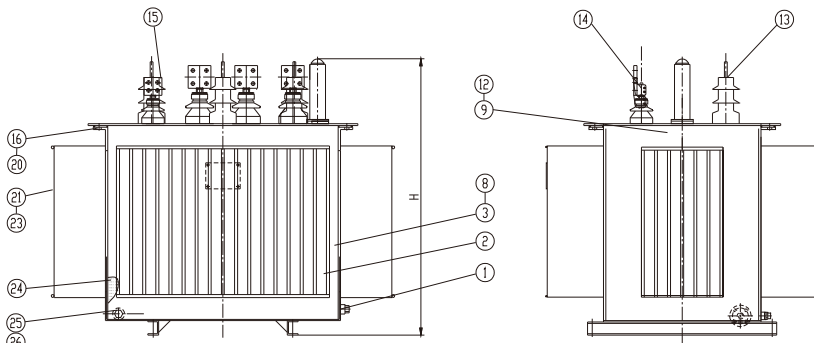
CUSTOMER-ORIENTED CREATE VALUE FOR CUSTOMERS

MAKE FRIENDS ALL OVER THE WORLD

TECHNICAL PARAMETERS

S9 10KV/11KV Oil-immersed Transformer

额定容量 Capacity	额定电压及分接范围Rated			联结组标号 Vector Group Symbol	空载损耗 NO-load loss (W)	负载损耗 Load loss (W)	空载电流 NO-load current	短路阻抗 Short circuit impedance
	高压 H. V (kv)	高压分接范围 High pressure Tap range (%)	低压 L. V (kv)					
30	11 10.5 10 6.3 6	±5% ±2x2.5%	0.4 0.415 0.420 0.44	Dyn11 Yyn0	130	630/600	2.3	4
50					170	910/870	2	4
63					200	1090/1040	1.9	4
80					250	1310/1250	1.9	4
100					290	1580/1500	1.8	4
125					340	1890/1800	1.7	4
160					400	2310/2200	1.6	4
200					480	2730/2600	1.5	4
250					560	3200/3050	1.4	4
315					670	3830/3650	1.4	4
400					800	4520/4300	1.3	4
500					960	5410/5150	1.2	4
630					1200	6200	1.1	4.5
800					1400	7500	1	4.5
1000					1700	10300	1	4.5
1250					1950	12000	0.9	4.5
1600					2400	14500	0.8	4.5
2000	2840	18300	0.75	5.5				
2500	3360	21200	0.7	5.5				



1 Oil valve	13 High pressure casing	27 Thermometer stand
2 Corrugated tank	14 Low pressure casing	28 Off-load tap-changer
3 Core Assembly	15 Neutral casing	29 Gas relay
4 High Voltage Coil	16-20 Bolt nut	30 Multifunction oil level gauge
5 Low Voltage Coil	21 Nameplate	
6 High Voltage lead	22-23 Bolt nut	
7 Low Voltage lead	24 Oil	
8 Body insulation	25 Earthing Bolt	
9-12 Hoisting fitting	26 Earthing plate	



Qingdao Hengfengyou
Electrical Engineering Co.Ltd
<http://www.hengfengyou.com>

Design
Version

Date

Model 10KV-11KV

Date

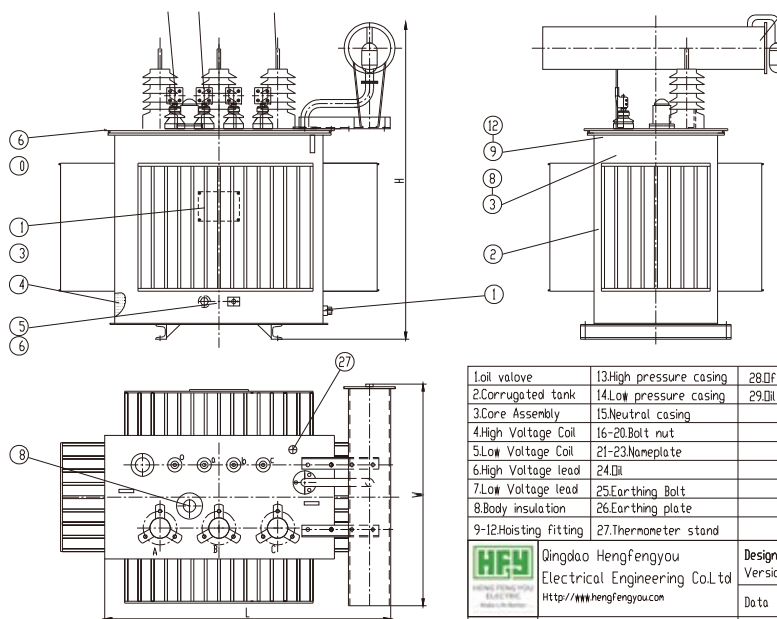
Copyright by HENG FENG YU ELECTRIC 2020



TECHNICAL PARAMETERS

S9 33KV/35KV Oil-immersed Transformer

额定容量 Capacity	额定电压及分接范围 Rated voltage & Off-load			联结组标号 Vector Group Symbol	空载损耗 NO-load loss (W)	负载损耗 Load loss (W)	空载电流 NO-load current	短路阻抗 Short circuit impedance (%)
	高压 H. V (kv)	高压分接范围 High pressure Tap range (%)	低压 L. V (kv)					
50	33kV 35kV 38.5kV	±5% ±2x2.5%	0.4 0.415 0.420 0.44	Dyn11 Yyn0	210	1270/1210	2.0	6.5
100					290	2120/2020	1.8	6.5
125					340	2500/2380	1.7	6.5
160					360	2970/2380	1.6	6.5
200					430	3500/3330	1.5	6.5
250					510	4160/3960	1.4	6.5
315					610	5010/4770	1.4	6.5
400					730	5050/5760	1.3	6.5
500					860	7280/6930	1.2	6.5
630					1040	8280	1.1	6.5
800					1230	9900	1.0	6.5
1000					1440	12150	1.0	6.5
1250					1760	14670	0.9	6.5
1600					2120	17550	0.8	6.5
2000					2490	20740	0.8	6.5
2500					2950	24420	0.8	6.5
3150					3510	29050	0.7	6.5
4000	4200	34940	0.7	6.5				
5000	4960	41160	0.7	6.5				



1. Oil valve	13. High pressure casing	28. Off-load tap-changer
2. Corrugated tank	14. Low pressure casing	29. Oil Storage tank
3. Core Assembly	15. Neutral casing	
4. High Voltage Coil	16-20. Bolt nut	
5. Low Voltage Coil	21-23. Nameplate	
6. High Voltage lead	24. Oil	
7. Low Voltage lead	25. Earthing Bolt	
8. Body insulation	26. Earthing plate	
9-12. Hoisting fitting	27. Thermometer stand	

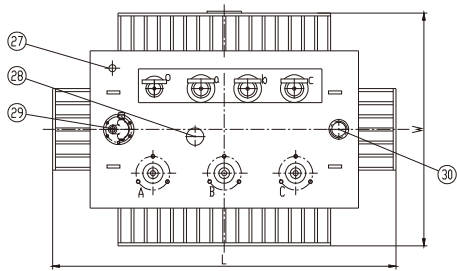
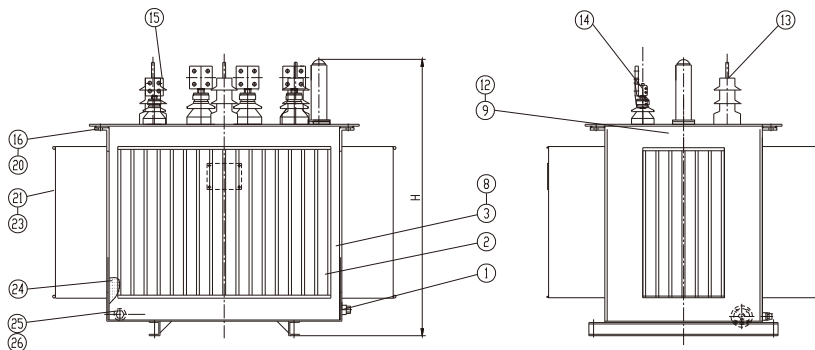
	Qingdao Hengfengyou Electrical Engineering Co.Ltd Http://www.hengfengyou.com	Design
		Version
Model	33-35KV	Date
		Date

Copyright by HENGFENGYOU ELECTRIC, 2020

TECHNICAL PARAMETERS

S11 10KV/11KV Oil-immersed Transformer

额定容量 Capacity	额定电压及分接范围 Rated voltage & Off-load			联结组标号 Vector Group Symbol	空载损耗 NO-load loss (W)	负载损耗 Load loss (W)	空载电流 NO-load current (%)	短路阻抗 Short circuit impedance (%)
	高压 H. V (kv)	高压分接范围 High pressure Tap range (%)	低压 L. V (kv)					
30	11 10.5 10 6.3 6	±5% ±2x2.5%	0.4 0.415 0.420 0.44	Dyn11 Yyn0	100	630/600	1.5	4
50					130	910/870	1.3	4
63					150	1090/1040	1.2	4
80					180	1310/1250	1.2	4
100					200	1580/1500	1.1	4
125					240	1890/1800	1.1	4
160					280	2310/2200	1	4
200					340	2730/2600	1	4
250					400	3200/3050	0.9	4
315					480	3830/3650	0.9	4
400					570	4520/4300	0.8	4
500					680	5410/5150	0.8	4
630					810	6200	0.6	4.5
800					980	7500	0.6	4.5
1000					1150	10300	0.6	4.5
1250					1360	12000	0.5	4.5
1600					1640	14500	0.5	4.5
2000					1940	18300	0.4	5
2500					2290	21200	0.4	5



1 Oil valve	13 High pressure casing	27 Thermometer stand
2 Corrugated tank	14 Low pressure casing	28 Off-load tap-changer
3 Core Assembly	15 Neutral casing	29 Gas relay
4 High Voltage Coil	16-20 Bolt nut	30 Multifunction oil level gauge
5 Low Voltage Coil	21 Nameplate	
6 High Voltage lead	22-23 Bolt nut	
7 Low Voltage lead	24 Oil	
8 Body insulation	25 Earthing Bolt	
9-12 Hoisting fitting	26 Earthing plate	

	Qingdao Hengfengyou	Design
	Electrical Engineering Co., Ltd	Version
	Http://www.hengfengyou.com	Date
Model	10KV-11KV	Date

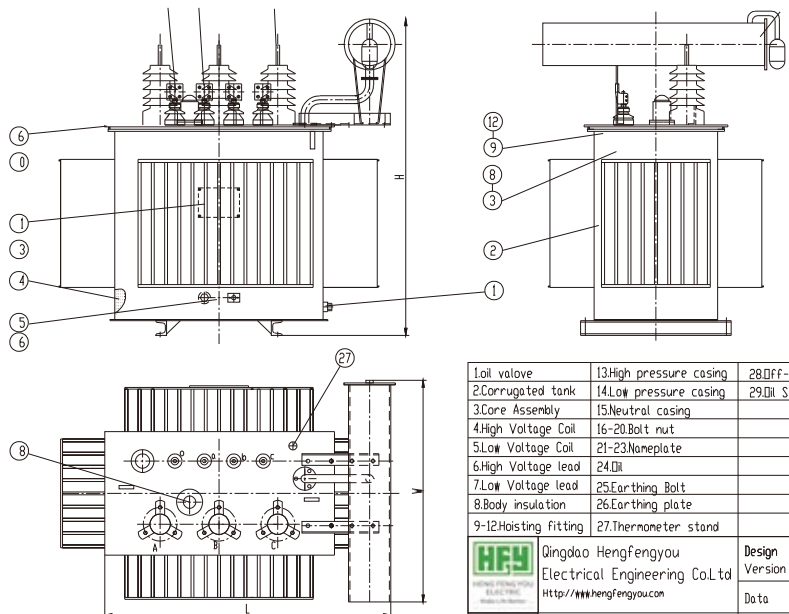
Copyright by HENG FENG YU ELECTRIC 2020



TECHNICAL PARAMETERS

S11 33KV/35KV Oil-immersed Transformer

额定容量 Capacity	额定电压及分接范围Rated voltage&Off-load			联结组标号 Vector GroupSymbol	空载损耗 NO-load loss (W)	负载损耗 Load loss (W)	空载电流 NO-load current	短路阻抗 Short circuit impedance (%)
	高压 H. V (kv)	高压分接范围 High pressure Tap range (%)	低压 L. V (kv)					
50	33kV 35kV 38.5kV	±5% ±2x2.5%	0.4 0.415 0.420 0.44	Dyn11 Yyn0	160	1200/1140	1.3	6.5
100					230	2010/1910	1.1	6.5
125					270	2370/2260	1.1	6.5
160					280	2820/2680	1.0	6.5
200					340	3320/3160	1.0	6.5
250					400	3950/3760	0.95	6.5
315					480	4750/4530	0.95	6.5
400					580	5740/5470	0.85	6.5
500					680	6910/6580	0.85	6.5
630					830	7860	0.65	6.5
800					980	9400	0.65	6.5
1000					1150	11500	0.65	6.5
1250					1400	13900	0.6	6.5
1600					1690	16600	0.6	6.5
2000					1990	19700	0.55	6.5
2500					2360	23200	0.55	6.5
3150					2810	27600	0.5	6.5
4000					3360	33000	0.5	6.5
5000	3970	39100	0.5	6.5				



1.Oil valve	13.High pressure casing	28.Off-load tap-changer
2.Corrugated tank	14.Low pressure casing	29.DI Storage tank
3.Core Assembly	15.Neutral casing	
4.High Voltage Coil	16-20.Bolt nut	
5.Low Voltage Coil	21-23.Noneplate	
6.High Voltage lead	24.DI	
7.Low Voltage lead	25.Earthing Bolt	
8.Body insulation	26.Earthing plate	
9-12.Hoisting fitting	27.Thermometer stand	


 Qingdao Hengfengyou
 Electrical Engineering Co.Ltd
[Http://www.hengfengyou.com](http://www.hengfengyou.com)

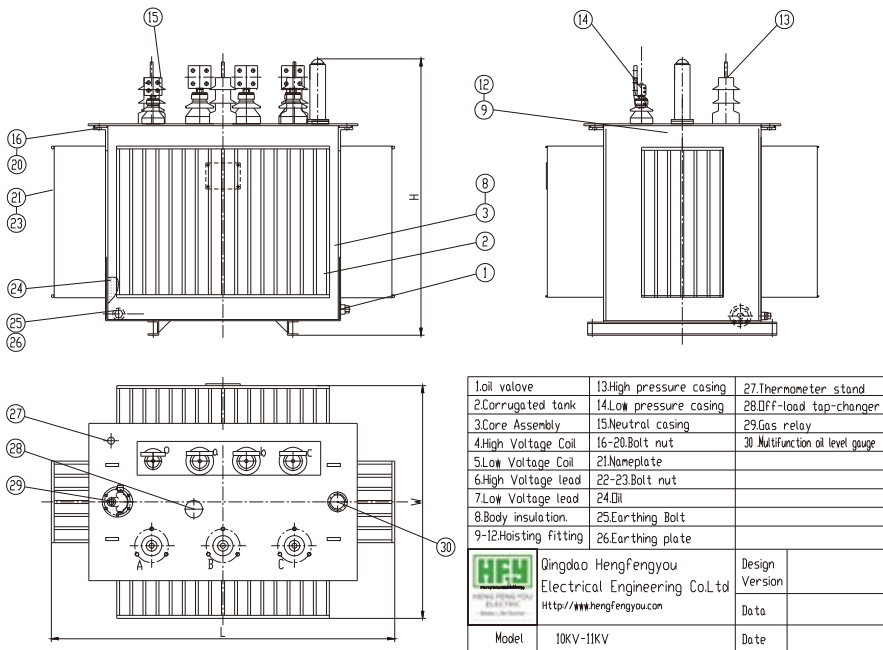
Design	
Version	
Date	

Model	33-35KV	Date	
-------	---------	------	--

TECHNICAL PARAMETERS

S13 10KV/11KV Oil-immersed Transformer

额定容量 Capacity	额定电压及分接范围 Rated voltage & Off-load			联结组标号 Vector Group Symbol	空载损耗 NO-load loss (W)	负载损耗 Load loss (W)	空载电流 NO-load current	短路阻抗 Short circuit impedance (%)
	高压 H. V (kv)	高压分接范围 High pressure Tap range (%)	低压 L. V (kv)					
30	11 10.5 10 6.3 6	±5% ±2x2.5%	0.4 0.415 0.420 0.44	Dyn11 Yyn0	80	630/600	1.3	4
50					100	910/870	1.1	4
63					110	1090/1040	1.1	4
80					130	1310/1250	1	4
100					150	1580/1500	1	4
125					170	1890/1800	0.95	4
160					200	2310/2200	0.95	4
200					240	2730/2600	0.85	4
250					290	3200/3050	0.85	4
315					340	3830/3650	0.65	4
400					410	4520/4300	0.65	4
500					480	5410/5150	0.65	4
630					570	6200	0.6	4.5
800					700	7500	0.6	4.5
1000					830	10300	0.55	4.5
1250					970	12000	0.55	4.5
1600					1170	14500	0.5	4.5
2000					1550	18300	0.4	5
2500	1830	21200	0.4	5				



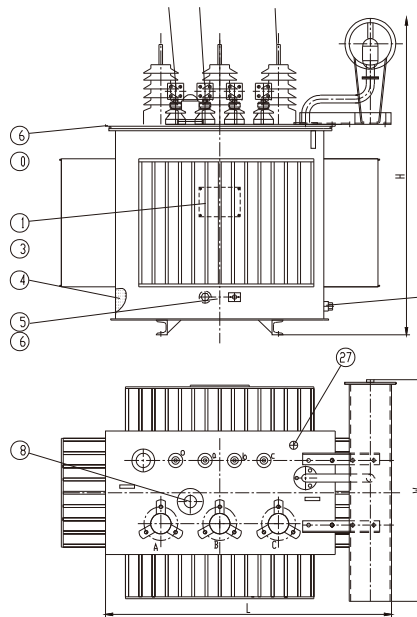
Copyright by HENGFENGYOU ELECTRIC 2020



TECHNICAL PARAMETERS

S13 33KV/35KV Oil-immersed Transformer

额定容量 Capacity	额定电压及分接范围 Rated voltage & Off-load			联结组标号 Vector Group Symbol	空载损耗 NO-load loss (W)	负载损耗 Load loss (W)	空载电流 NO-load current	短路阻抗 Short circuit impedance (%)
	高压 H. V (kV)	高压分接范围 High pressure Tap range (%)	低压 L. V (kV)					
50	33kV 35kV 38.5kV	±5% ±2x2.5%	0.4 0.415 0.420 0.44	Dyn11 Yyn0	130	1200/1140	1.3	6.5
100					185	2010/1910	1.1	6.5
125					215	2370/2260	1.1	6.5
160					225	2820/2680	1.0	6.5
200					270	3320/3160	1.0	6.5
250					320	3950/3760	0.95	6.5
315					385	4750/4530	0.95	6.5
400					465	5740/5470	0.85	6.5
500					545	6910/6580	0.85	6.5
630					665	7860	0.65	6.5
800					785	9400	0.65	6.5
1000					920	11500	0.65	6.5
1250					1120	13900	0.6	6.5
1600					1350	16600	0.6	6.5
2000					1590	19700	0.55	6.5
2500					1890	23200	0.55	6.5
3150					2250	27600	0.5	6.5
4000					2690	33000	0.5	6.5
5000					3180	39100	0.5	6.5



1. Oil valve	13. High pressure casing	28. Off-load tap-changer
2. Corrugated tank	14. Low pressure casing	29. Oil Storage tank
3. Core Assembly	15. Neutral casing	
4. High Voltage Coil	16-20. Bolt nut	
5. Low Voltage Coil	21-23. Nameplate	
6. High Voltage lead	24. Oil	
7. Low Voltage lead	25. Earthing Bolt	
8. Body insulation	26. Earthing plate	
9-12. Hoisting fitting	27. Thermometer stand	

	Qingdao Hengfengyou Electrical Engineering Co., Ltd	Design
	Http://www.hengfengyou.com	Version
Model	33-35KV	Date

Copyright by HENGFENGYOU ELECTRIC 2020

TEST



COMPREHENSIVE EXPERIMENTAL
PLATFORM FOR POWER TRANSFORMER



NOISE TESTING CHAMBER



TRANSFORMER TEST

● DELIVERY TEST (OR ROUTINE TEST)

These tests verify the electrical performance specified in the contract. And submit a formal test report.

characteristic measurement

- Winding resistance;
- Transformation ratio and vector group;
- Impedance voltage;
- Load loss;
- No load loss and no-load current.

insulation test:

- Power frequency withstand voltage test- Inductive voltage withstand test.
- Partial discharge measurement ensures that the expected service life of transformer less than 5pc is closely related to the initial partial discharge level measured during manufacturing.

● SPECIAL TEST

These tests will be arranged at customer's request at customer's expense.

Short circuit test

These tests were carried out on a special test bench in accordance with IEC 60076-5.

A total of three tests were performed on each transformer column, each lasting 0.5 seconds.

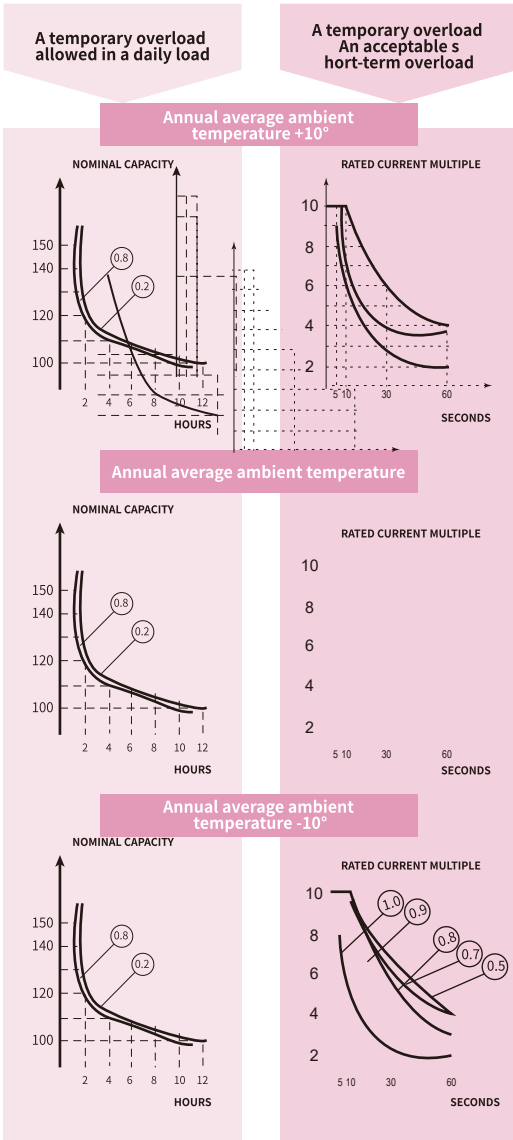
Noise level measurement

- Noise level measurement is part of a special test.
- Transformer noise is mainly caused by magnetic constriction of magnetic circuit.

- Noise levels can be expressed in two ways:

Sound pressure level L_p , measured in accordance with IEC 551 at 1m from the transformer in no-load operation

TEST



Overload curves at different ambient temperatures

OVERLOAD CAPACITY

General information

The transformer is designed to operate at rated capacity at ambient temperatures specified in IEC 60076 and GB:

- Maximum temperature +40°C;
- Average temperature of the hottest month +30°C;
- Maximum annual average temperature +20°C.

Unless otherwise specified, the reference **temperature is an annual average of 20C**

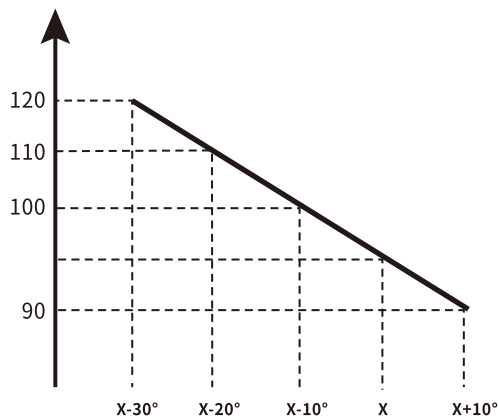
If it is a normal load within the rated capacity, meet the conditions of overload capacity and time in the left figure. Under, overload operation is allowed and does not affect the life of the transformer.

The allowable overload is also subject to the average ambient temperature.

The first column on the left gives the allowed value for the daily overload of the loop.

Column 2 shows acceptable short-time overloads.

The following figure shows the ambient temperature as a function of the acceptable long-term load during the normal life.



INSTALLATION AND AFTER-SALES SERVICE



1

Avoid debris falling into live parts

2

Keep a good distance from the ground to allow ventilation

3

The transformer is equipped with devices for safe handling

4

Ensure that the power supply voltage is not higher than the rated voltage

5

The transformer should be cleaned regularly, especially if it is installed in the polluted environment

6

Secure high voltage and low voltage cables to prevent movement

7

Connect the protection circuit to the monitoring system. Check whether the grounding is effective

8

Check the tightening torque of the high pressure tap connection rod and the high pressure connection

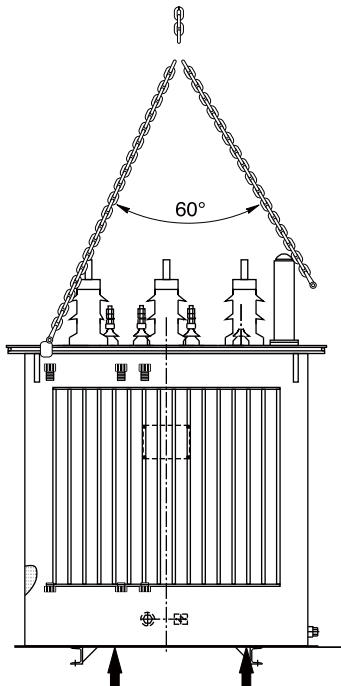
9

Connect the protection circuit to the monitoring system. Check whether the grounding is effective

10

Ensure good ventilation

INSTALLATION AND AFTER-SALES SERVICE



叉车提升装置

CARRY

Use the 4 lifting lugs of the transformer (it must be lifted vertically, not obliquely); For the transformer with 2 lifting lugs in the center of the top of the shell, use 2 lifting lugs. The included angle formed by the sling shall not be greater than 60° .

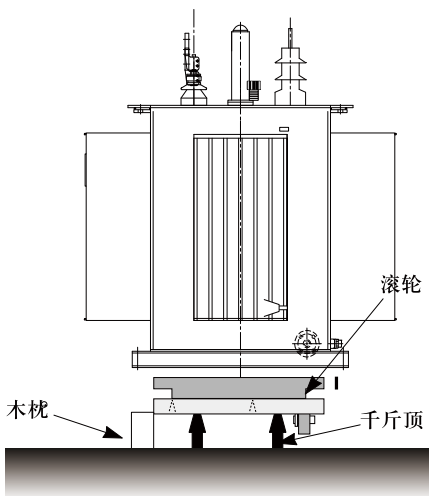
First, check the forklift's forking capacity. If appropriate, the fork arm shall be inserted into the base channel after removing the roller.

The transformer with or without enclosure shall be hauled from the base. For this purpose, holes with a diameter of 27mm are opened on each side of the base. It can be dragged from two directions: the axial direction of the base and the direction perpendicular to this axis.

STORAGE

Hengfengyou transformer shall avoid being polluted by dripping water and sand dust (such as masonry and sand blasting) during storage. If hengfengyou transformer is supplied with a plastic cover, it shall be covered on the equipment during storage. Hengfengyou transformer can be stored in an environment with a minimum room temperature of -25°C and a maximum room temperature of 50°C .

No gas or conductive dust that seriously affects the insulation of the transformer; No explosion hazard, no corrosion of electrical components



INSTALLATION AND AFTER-SALES SERVICE



INSTALLATION SITE

· The transformer shall be installed in a dry, flat place where water is not easy to enter. The installation site shall have sufficient ventilation to ensure that all heat of the transformer can be dissipated

· No load shall be supported anywhere on the enclosure except the power supply cable of the transformer. In addition to correctly installing the connecting cable according to the relevant drawings, facilities or accessories not supplied by the manufacturer or without permission are not allowed to be installed in the shell, otherwise, the user shall bear the risk. For the transformation, connection and installation of any accessories, please consult our hengfengyou technicians.

· Under no circumstances shall HV and LV connecting cables be fixed on the transformer core and winding. The distance between high-voltage cable, low-voltage cable, or low-voltage bus and the surface of high-voltage winding shall be at least 120mm; However, the minimum distance on the high pressure side refers to the distance to the outermost triangular connecting rod. Special attention shall be paid to the grounding of the shielding layer of high-voltage cable.

INSTALLATION AND AFTER-SALES SERVICE

INSPECTION BEFORE OPERATION

• Auxiliary wiring

The auxiliary wiring on the transformer (connected to plug-in connector) shall be fixed on a fixed support (without any binding) and have sufficient clearance from live parts. The minimum clearance to be considered depends on the voltage level shown on the nameplate.

• Parallel operation

Check whether the high voltage and low voltage of these transformers are the same, and check whether the performance parameters are the same, especially whether the connection group and impedance voltage are the same.

• Make sure the tapping positions are the same

Among the transformers in parallel operation, the capacity of the transformer with the largest capacity shall not exceed more than twice that of the transformer with the smallest capacity.

• Insulation test

Use a 2500V insulation resistance megger to check the insulation of high voltage and low voltage to ground. The insulation of high voltage to low voltage (the insulation resistance value is about: high voltage to ground $\geq 250\text{m}$, low voltage to ground $\geq 50\text{m}$, high voltage to low voltage $\geq 250\text{m}$). If the measured value is significantly lower than the above value, check whether the transformer is damp. In case of moisture, dry it and repeat the above inspection.

• Transformer cleaning

Check the general cleanliness of the transformer and all cable and bus interfaces to ensure that they meet the relevant protection grade

INSPECTION IN OPERATION

Under normal use and environmental conditions, check the transformer once a year, dust around the transformer and accessories, and fasten lead terminals, pins, grounding screws, connecting bus screws, etc.

INSTALLATION AND AFTER-SALES SERVICE

QUALITY CONTROL:

We have established strict SQA working procedures and ISO standards in the development, production, sales and after-sales of electrical products, so as to provide customers with first-class products and the best service.

Our Team:

1. Our electrical engineer has more than 10 years of working experience

Our workshop workers are all skilled industrial workers who have received three months 'pre-job training

3. Our sales team has been extensively trained by management consultants to provide professional solutions for customers

4. Our technical team can provide customers with 24-hour technical support world wide

5. Our customer service team ensures that orders are delivered on time.

6. professional after-sales service technicians can ensure the correct commissioning and operation of the transformer.



TRANSFORMER PACKAGE AND SHIPMENT

INSTALLATION AND AFTER-SALES SERVICE

PRE-SALE SERVICE:

1. ISO certified excellent Manufacturer
2. Third-party authoritative certifications: CE, CB, SASO, CCC, KEMA etc
3. Flexible payment: T/T, LC, O/A
4. Sufficient inventory, fast delivery time and long validity of the price
5. The whole process of picture tracking can be realized in production and transportation
6. Experienced professional sales team and a strong technical team
7. Sincerely invite customers to visit the company for guidance

AFTER-SALES SERVICE:

1. If there is any quality problem after receiving the goods, you can return the goods free of charge or ship new products
2. We provide our customers with a 1-year product warranty
3. Provide 24-hour, 365-day technical guidance worldwide
4. The VIP customers enjoy our promotional activity
- trained by management consultants, is able to provide professional solutions for customers.
5. Our customer service team ensures on time delivery.



Call Us For Details



HENG FENG YOU

▪ Make Life Better ▪

青岛恒丰友电气工程有限公司

QINGDAO HENGFENGYOU ELECTRICAL ENGINEERING CO., LTD

Hengfengyou Electric Group

Hengfengyou (Qingdao) Transformer Co., Ltd

Address: Fengju Road, Chengyang District, Qingdao City, Shandong Province, China

Hengfengyou (Qingdao) Transmission tower Co., Ltd

Address: Shuangyuan Road, Chengyang District, Qingdao City, Shandong Province, China

Hengfengyou (Qingdao) Cable Co., Ltd

Address: Jifa Longshan Road, Jimo District, Qingdao, Shandong Province, China

Hengfengyou (Qingdao) Panel Builder Co., Ltd

Address: Jifa Longshan Road, Jimo District, Qingdao, Shandong Province, China

Hengfengyou (Yancheng) special transformer Co., Ltd

Address: Longteng Road, Longgang Town, Yandu District, Yancheng City, Jiangsu Province, China

Hengfengyou (Liaocheng) transformer Co., Ltd

Address: Fenghuang Industrial Park, Liaocheng City, Shandong Province, China

QINGDAO HENGFENGYOU ELECTRICAL ENGINEERING CO., LTD

Tel: +86-532--8793 6206

WhatsApp: Jack +86 15853252696 Gary +86 15853265269

Website: www.hengfengyou.com

Email: hfy@hengfengyou.com

Address: No.638 Zhongcheng Road, Chengyang District, Qingdao City, China

